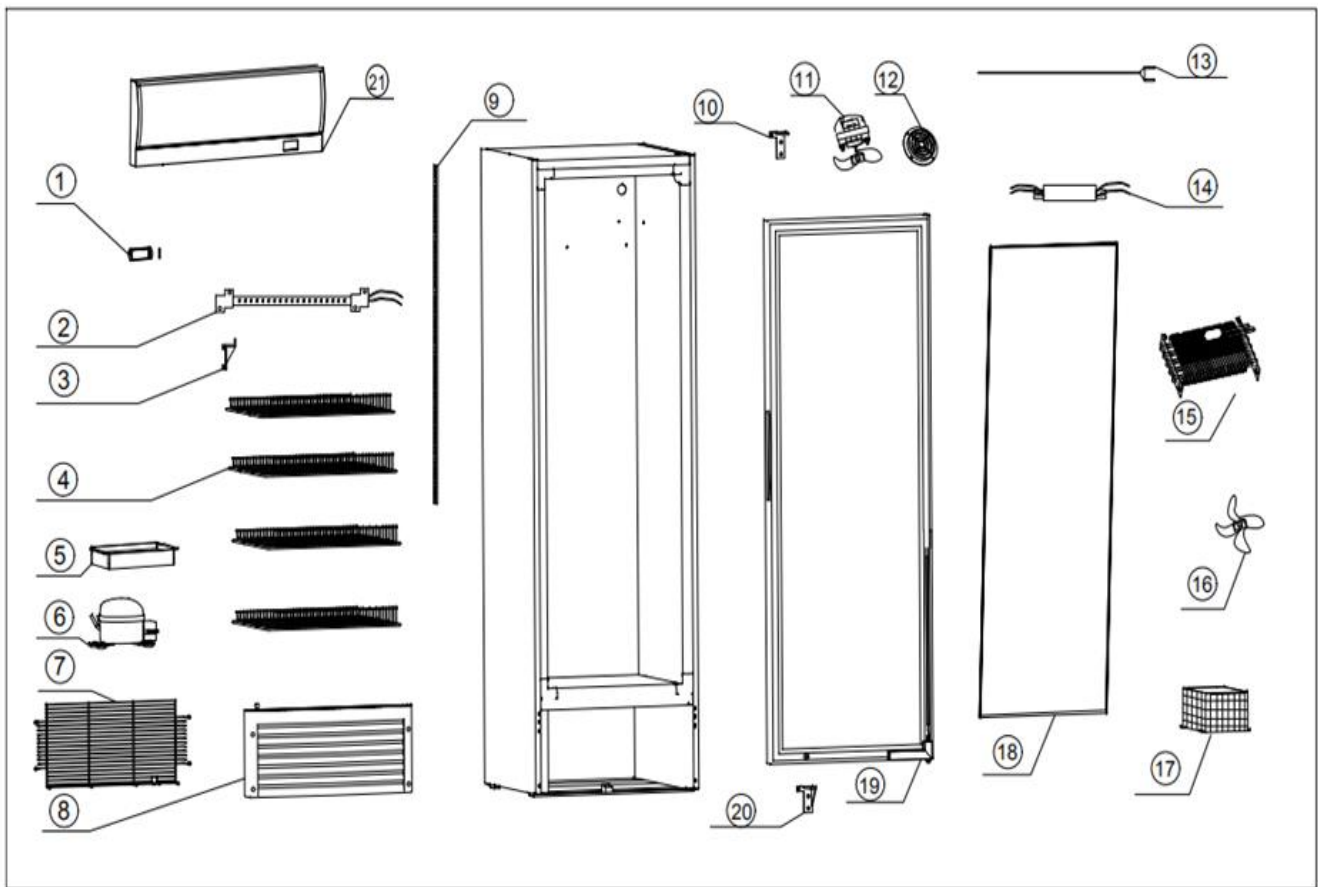


BC/GD350

Exploded parts diagram





| Part Number | No. | Description | Qty |
|---------------|-----|---|-----|
| B9-STAT02 | 1 | Controller Carel | 1 |
| K8-PROBE01 | 1a | Temperature sensor | 1 |
| B9-LEDCAN3 | 2 | LED light & top merchandiser canopy GD350 | 1 |
| B9-CLIP | 3 | Shelf Clip | 20 |
| B9-SHELF350 | 4 | Shelf | 5 |
| B9-TRAY01 | 5 | Condensate tray | 1 |
| B9-COMP05 | 6 | compressor | 1 |
| B9-GRILL350 | 8 | Lower front panel | 1 |
| B9-LADDER | 9 | Ladder rack | 4 |
| B9-HINGEU35 | 10 | Hinge Upper | 1 |
| B9-FAN35 | 11 | Fan motor evap | 1 |
| B9-LEDTRANS02 | 14 | Transformer LED 12 V driver transformer | 1 |
| B9-EVAP350 | 15 | Evaporator Coil | 1 |
| K8-FAN01 | 16 | Condenser fan motor | 1 |
| B9-COND350 | 17 | Condenser coil | 1 |
| B9-GASKET35 | 18 | Gasket | 1 |
| B9-DOOR35 | 19 | Door BC350 | 1 |
| B9-DOOR35S | 19 | Door GD350 (self-closing) | 1 |
| B9-HINGEL35 | 20 | Hinge lower | 1 |
| B9-CANOPY3 | 21 | Top Light Canopy | 1 |